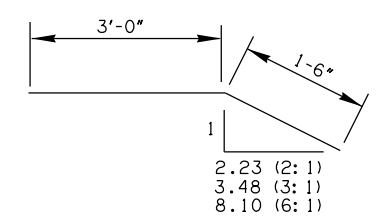
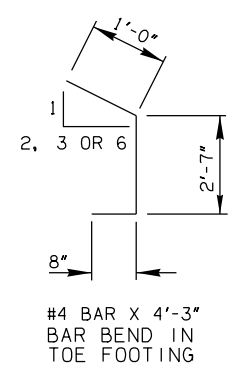


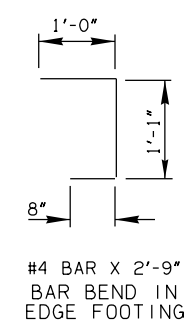
- #4 BAR X 2'-2" (2:1)
 - #4 BAR X 2'-3" (3:1)
 - #4 BAR X 2'-5" (6:1)
- BOTTOM OF SLOPE WALL



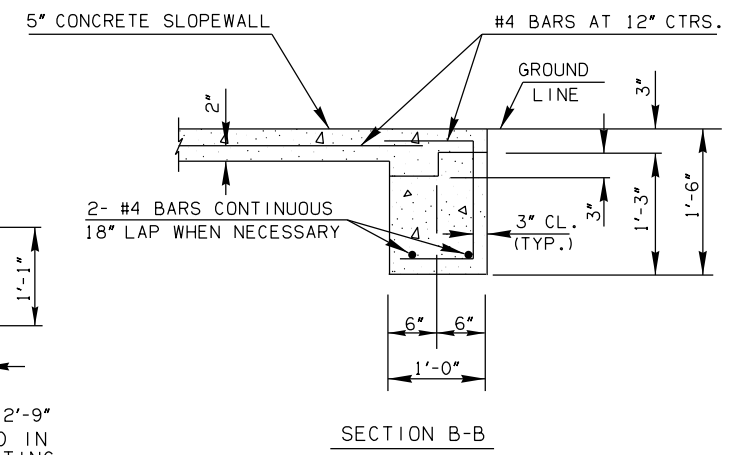
- #4 BAR X 4'-6" TOP OF SLOPE WALL



- #4 BAR X 4'-3" BAR BEND IN TOE FOOTING



- #4 BAR X 2'-9" BAR BEND IN EDGE FOOTING



CLASS A CONCRETE:
ALL CONCRETE IN THE SLOPE WALL SHALL BE CLASS A CONCRETE AND SHALL BE POURED IN THE DRY. ALL CONSTRUCTION SHALL BE IN ACCORDANCE WITH SECTION 509 AND 610 OF THE STANDARD SPECIFICATIONS. COARSE AGGREGATE FOR THIN SECTION CONCRETE (701.06) MAY BE USED.

CONSTRUCTION JOINTS:
NO HORIZONTAL CONSTRUCTION JOINTS WILL BE PERMITTED IN THE SLOPE WALL. FINAL NUMBER AND LOCATION OF VERTICAL CONSTRUCTION JOINTS WILL BE DETERMINED BY THE ENGINEER. JOINTS WILL HAVE A MAXIMUM SPACING OF 10'-0" MEASURED ALONG THE TOE OF THE SLOPE WALL.

BASIS OF PAYMENT:
CONCRETE SLOPE WALL WILL BE MEASURED FROM EDGE TO EDGE AND FROM TOP TO BOTTOM OF THE TOP SURFACE OF THE SLOPE WALL AND FULL FACE OF THE TOE OF THE SLOPE WALL. PAYMENT WILL BE MADE AT THE CONTRACT PRICE BID FOR:

900.03 5" CONCRETE SLOPE WALL S.Y.

WHICH SHALL INCLUDE ALL COSTS OF JOINT SEALER AND FILLER, REINFORCING STEEL, CONCRETE, EXCAVATION, FILTER SAND, COARSE MATERIAL, PERFORATED PIPE, LABOR, FORMS, AND INCIDENTALS NECESSARY TO COMPLETE THE WORK AS SHOWN AND SPECIFIED.

PAY QUANTITY			
ITEM	DESCRIPTION	UNIT	QUANTITY
510(C)	5" SLOPEWALL	S.Y.	442.2

DESIGN	-	-
DRAWN	-	-
CHECKED	-	-
APPROVED	-	-
SQUAD	POE	

LINE 4
SLOPEWALL "B" DETAILS
STATE JOB NO. 30444(06) SHEET NO. 20
OKLAHOMA COUNTY